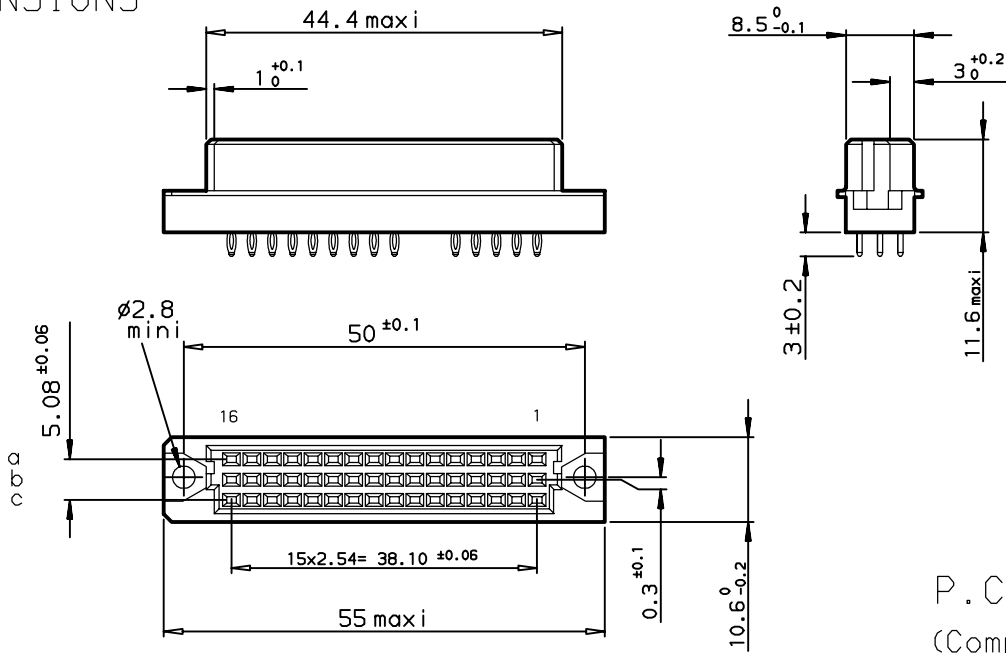


DIMENSIONS



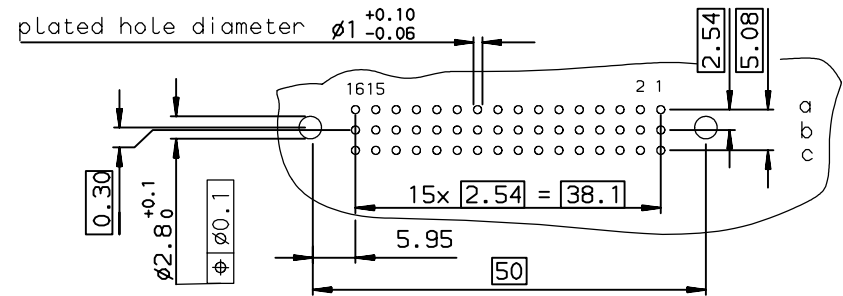
TIN LEAD PART NUMBER

PART NUMBER
86093428394750759E3

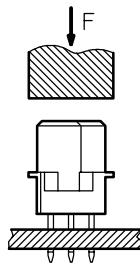
LEAD FREE PART NUMBER

PART NUMBER
86093428394750CILF

P.C. CARD DRILLING
(Component side view)



METHOD OF INSERTION
ON THE PCB = FLAT ROCK



SPECIFICATION 759 = no contact in position : row:a-b-c cavities 6-7
OR SPECIFICATION CI =

GENERAL CHARACTERISTICS AND ROHS INFORMATIONS:

SEE DRAWING C-8609-0000C

European Views

www.fciconnect.com		surface ISO 1302 ✓	tolerance std ISO 406 ISO 1101	projection mm	mm
TOLERANCES UNLESS OTHERWISE SPECIFIED					
Dr	ROUILLARD	1998/03/06	ANGULAR	0.X ±0.1	size A3
Eng	TARON	1998/03/06	LINEAR	0.XX ±0.1	Scale 1.5
Chr	LEGARE	1998/03/06	0.XX' ±2'	0.XXX ±0.1	ECN LS06-0095
Appr	LEGARE	1998/03/06	Product family	DIN 8609	Spec ref -
				STANDARD FEMALE 3 ROW 42 CONTACTS catalog no -	
				dwg no C-8609-0695 CUSTOMER sheet 1 of 1	Rev. C

rev	ecn no	dr	date
A	-	ROU	1998/03/06
B	LS05-004	JTA	2005/02/26
C	LS06-0095	LGO	2006/06/24
-	-	-	-
-	-	-	-
-	-	-	-